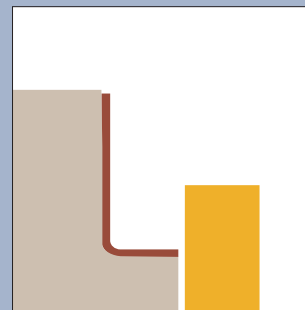


Neck

FINITURE GOLE

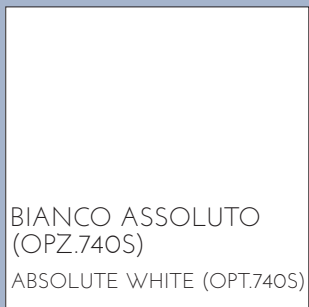
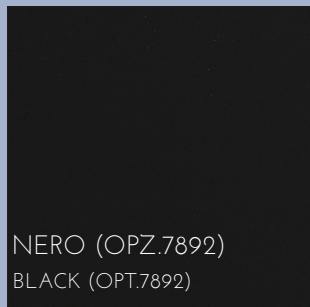
FINITURE GOLE SPAZZOLATE
FINGER RAILS BRUSHED FINISHES



GOLA TIPO "ELLE"






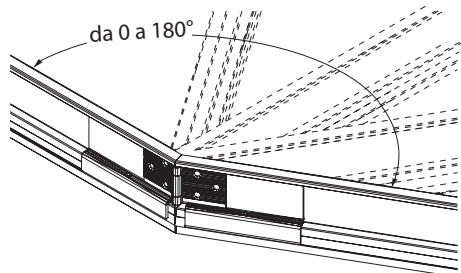

"ELLE" TYPE FINGER RAIL

FINITURE GOLE VERNICIATE A POLVERE OPACHE
MATT FINGER RAILS POWDER COATED FINISHES



GOLA "ELLE" ORIZZONTALE SOTTOTOP

UNDERMOUNT HORIZONTAL "ELLE" FINGER RAIL




	COD.			COD.		
<p>Gola sottotop tipo "A" N.B.: costo gola già compreso nel prezzo delle basi Type "A" undermount finger rail Note: finger rail cost already included in base unit price</p> 	G950010	al ml per lm		<p>Angolo interno a 90° per gola tipo "A" N.B.: costo angolare già compreso nel prezzo delle basi angolo 90° interior corner for "A" type finger rail Note: corner piece cost already included in corner unit price</p> 	G950050	cadauno each
<p>Terminale aperto dx o sx per gola tipo "A" da utilizzare a fine composizione RH or LH open end for type "A" finger rail to be placed at the end of the composition</p> 				<p>Angolare con snodo per unione fuori squadra per gola tipo "A" Corner piece with joint for out-of-plumb joining for type "A" finger rail</p> 		
		in alluminio aluminium				
	G950021	terminale DX RH end				
	G950022	terminale SX LH end				
		in plastica (solo finitura opz.410) plastic (only finish opt.410)				
	G950041	terminale DX RH end				
	G950042	terminale SX LH end				
<p>Terminale chiuso dx o sx per gola tipo "A" da utilizzare solo tra basi e colonne RH or LH closure for type "A" finger rail to be placed only between base units and column</p> 				<p>da 0 a 180°</p> 		
		in alluminio aluminium				
	G950031	terminale DX RH end				
	G950032	terminale SX LH end				
		in plastica (solo finitura opz.410) plastic (only finish opt.410)				
	G950045	terminale DX RH end				
	G950046	terminale SX LH end				
<p>Coppia angolari per kit raccordo base angolo 110x110 Couple corner piece for fitting kit corner base unit 110x110</p> 						
		in alluminio aluminium				
	G950058	angolare DX RH corner piece				
	G950059	angolare SX LH corner piece				


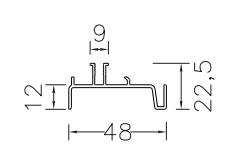

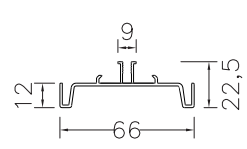

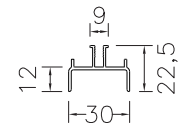
GOLA "ELLE" ORIZZONTALE INTERMEDIA

INTERMEDIATE HORIZONTAL "ELLE" FINGER RAIL

GOLE "ELLE" VERTICALI PER COLONNE

VERTICAL "ELLE" FINGER RAILS FOR COLUMNS

	COD.		
 <p>Gola intermedia tipo "B" N.B.: costo gola già compreso nel prezzo delle basi con cassetti o cestoni Type "B" intermediate finger rail Note: finger rail cost already included in price base unit with drawers or deep drawers</p>			
	al ml per lm G950110		
 <p>Terminale aperto dx o sx per gola tipo "B" da utilizzare a fine composizione RH or LH open end for type "B" finger rail to be placed at the end of the composition</p>			
	in alluminio aluminium		
	terminale DX RH end	G950121	
	terminale SX LH end	G950122	
	in plastica (solo finitura opz.410) plastic (only finish opt.410)		
	terminale DX RH end	G950141	
terminale SX LH end	G950142		
 <p>Terminale chiuso dx o sx per gola tipo "B" da utilizzare solo tra cassettiere e lavastoviglie/colonne RH or LH closure for type "B" finger rail to be placed only between drawer units and dishwasher/columns</p>			
	in alluminio aluminium		
	terminale DX RH end	G950131	
	terminale SX LH end	G950132	
	in plastica (solo finitura opz.410) plastic (only finish opt.410)		
	terminale DX RH end	G950145	
terminale SX LH end	G950146		

	COD.		
 <p>Mezza gola verticale tipo "C" (completa di distanziale) Type "C" half vertical finger rail (complete with spacer)</p>  <p>sezione mezza gola tipo "C" cross section of type "C" finger rail</p>			
	pedi H 13 H 96	G950310	
	H 132	G950330	
	H 204	G950350	
	H 228	G950370	
	pedi H 6 H 108	G950320	
	H 144	G950340	
	H 216	G950360	
	 <p>Gola verticale intermedia tipo "D" (completa di distanziale) Type "D" intermediate vertical finger rail (complete with spacer)</p>  <p>sezione gola tipo "D" cross section of type "D" finger rail</p>		
		pedi H 13 H 96	G950410
H 132		G950430	
H 204		G950450	
H 228		G950470	
pedi H 6 H 108		G950420	
H 144		G950440	
H 216		G950460	
 <p>Gola verticale laterale tipo "E" (completa di distanziale) Type "E" lateral vertical finger rail (complete with spacer)</p>  <p>sezione gola tipo "E" cross section of type "E" finger rail</p>			
		pedi H 13 H 96	G950510
	H 132	G950530	
	H 204	G950550	
	H 228	G950570	
	pedi H 6 H 108	G950520	
	H 144	G950540	
	H 216	G950560	

tablet

Bridge

MANIGLIE HANDLES

DI SERIE STANDARD



Maniglia F547 finitura nichel satinato
anta L 15 → passo 64 mm
anta da L 30 a L 90 → passo 160 mm

Handle F547 with satin nickel finish
door W 15 → centre-to-centre distance 64 mm
door from W 30 to W 90 → centre-to-centre distance 160 mm

A RICHIESTA ON REQUEST



Maniglia K50 finitura cromo
anta da L 30 a L 45 → passo 160 mm
anta da L 60 a L 90 → passo 320 mm

Handle K50 chrome finish
door from W 30 to W 45 → centre-to-centre distance 160 mm
door from W 60 to W 90 → centre-to-centre distance 320 mm



Pomo 244P finitura cromo
solo per anta L 15 in abbinamento
alla maniglia K50

Knob 244P chrome finish
only for door W 15 in combination
to the handle K50



Maniglia K56 finitura satinato opaco
anta L 15 → passo 64 mm
anta da L 30 a L 60 → passo 160 mm
anta da L 75 a L 90 → passo 320 mm

Handle K56 matt satin finish
door W 15 → centre-to-centre distance 64 mm
door from W 30 to W 60 → centre-to-centre distance 160 mm
door from W 75 to W 90 → centre-to-centre distance 320 mm



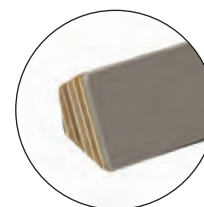
Maniglia K57 finitura verniciato brunito
anta L 15 → passo 64 mm
anta da L 30 a L 60 → passo 160 mm
anta da L 75 a L 90 → passo 320 mm

Handle K57 with burnished painted finish
door W 15 → centre-to-centre distance 64 mm
door from W 30 to W 60 → centre-to-centre distance 160 mm
door from W 75 to W 90 → centre-to-centre distance 320 mm



Maniglia K58 finitura nero opaco
anta L 15 → passo 64 mm
anta da L 30 a L 60 → passo 160 mm
anta da L 75 a L 90 → passo 320 mm

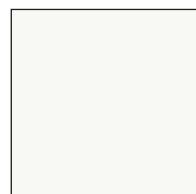
Handle K58 matt black finish
door W 15 → centre-to-centre distance 64 mm
door from W 30 to W 60 → centre-to-centre distance 160 mm
door from W 75 to W 90 → centre-to-centre distance 320 mm



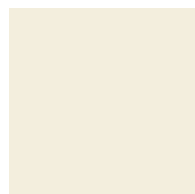
Particolare maniglia in multistrato
Detail ply handle

Maniglia in multistrato marino e finitura frontale in laminato nei colori:
bianco (opz.T7447P), porcellana (opz.T7703P), desert (opz.T8914P),
molara (opz.T9636P), arena (opz.T9637P)
anta L 15 → passo 64 mm
anta da L 30 a L 60 → passo 160 mm
anta L 90 → passo 320 mm

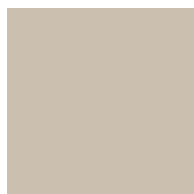
Handle in marine ply and front panel in laminate in the following colours:
white (opt.T7447P), porcelain (opt.T7703P), desert (opt.T8914P),
molara (opt.T9636P), arena (opt.T9637P)
door W 15 → centre-to-centre distance 64 mm
door from W 30 to W 60 → centre-to-centre distance 160 mm
door W 90 → centre-to-centre distance 320 mm



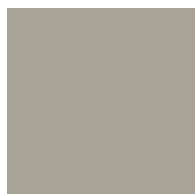
bianco
(opz.T7447P)
white



porcellana
(opz.T7703P)
porcelain



desert
(opz.T8914P)
desert



molara
(opz.T9636P)
molara



arena
(opz.T9637P)
arena

A RICHIESTA ON REQUEST



Maniglia K92 finitura grigio selce
 anta da L 15 a L 30 → passo 64 mm
 anta da L 40 a L 75 → passo 160 mm
 anta da L 90 a L 120 → passo 320 mm

Handle K92 flint grey finish
 door from W 15 to W 30 → centre-to-centre distance 64 mm
 door from W 40 to W 75 → centre-to-centre distance 160 mm
 door from W 90 to W 120 → centre-to-centre distance 320 mm



Maniglia K93 finitura ghisa
 anta da L 15 a L 30 → passo 64 mm
 anta da L 40 a L 75 → passo 160 mm
 anta da L 90 a L 120 → passo 320 mm

Handle K93 caston iron finish
 door from W 15 to W 30 → centre-to-centre distance 64 mm
 door from W 40 to W 75 → centre-to-centre distance 160 mm
 door from W 90 to W 120 → centre-to-centre distance 320 mm



Maniglia K94 finitura silver dark
 anta da L 15 a L 30 → pomo
 anta da L 40 a L 75 → passo 160 mm
 anta da L 90 a L 120 → passo 320 mm

Handle K94 dark silver finish
 door from W 15 to W 30 → knob
 door from W 40 to W 75 → centre-to-centre distance 160 mm
 door from W 90 to W 120 → centre-to-centre distance 320 mm



Maniglia K85 finitura cromo satinato
 anta da L 15 a L 30 → passo 96 mm
 anta da L 40 a L 75 → passo 160 mm
 anta da L 90 a L 120 → passo 320 mm

Handle K85 satin chrome finish
 door from W 15 to W 30 → centre-to-centre distance 96 mm
 door from W 40 to W 75 → centre-to-centre distance 160 mm
 door from W 90 to W 120 → centre-to-centre distance 320 mm



Maniglia K87 finitura nichel lux
 anta da L 15 a L 30 → passo 96 mm
 anta da L 40 a L 75 → passo 160 mm
 anta da L 90 a L 120 → passo 320 mm

Handle K87 lux nikel finish
 door from W 15 to W 30 → centre-to-centre distance 96 mm
 door from W 40 to W 75 → centre-to-centre distance 160 mm
 door from W 90 to W 120 → centre-to-centre distance 320 mm



Maniglia K90 finitura bronzo
 anta da L 15 a L 30 → passo 64 mm
 anta da L 40 a L 120 → passo 160 mm

Handle K90 bronze finish
 door from W 15 to W 30 → centre-to-centre distance 64 mm
 door from W 40 to W 120 → centre-to-centre distance 160 mm

DI SERIE STANDARD



Maniglia 910T finitura titanio
Handle 910T titanium finish



Maniglia 910B finitura brill
Handle 910B brill finish

A RICHIESTA ON REQUEST



Maniglia 913T finitura titanio
Handle 913T titanium finish



Maniglia 913B finitura brill
Handle 913B brill finish



Maniglia 920T finitura titanio
Handle 920T titanium finish

